

Thank you for playing in today's Premier Sunday event!

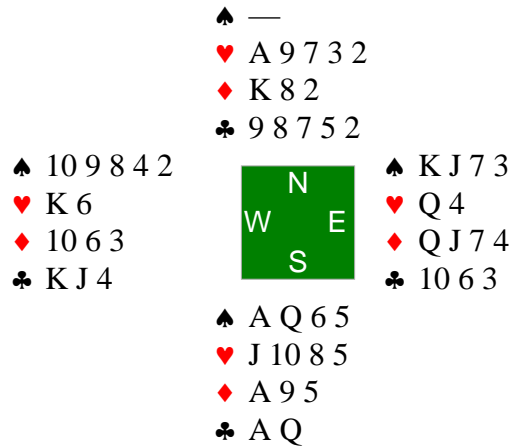
If you're reading this, then you're obviously interested in reviewing some of the hands you've just played. These hands have been reviewed by myself, Rob Stephens, and I've given a brief summary of how the bidding may have gone and a few comments on the more interesting hands. The bidding is based on a standard system comprising 5 card majors, 15-17NT, and not much else! A lot of your auctions will no doubt be rather different, depending on your partnership methods, as well as the opponent's methods and styles on every board. These are my impressions, based mostly on my own personal style, and possibly assumptions on how others may bid the hands. Hope you enjoy :)

P.S. Our next Premier Sunday event is scheduled for the 10th November.

Below each hand diagram, is a breakdown of makeable contracts, as well as the "Par" score. These are all based on double dummy analysis and won't necessarily be a true reflection of what should be bid or made at the table. The "Par" contract is a great detail to note how high one could compete to, possibly taking a sacrifice, even against part scores.

**Board 1**

North Deals  
None Vul



NS 5♥; NS 3N; NS 4♣; NS 2♦; NS 1♠; Par +450

| <i>West</i> | <i>North</i> | <i>East</i> | <i>South</i> |
|-------------|--------------|-------------|--------------|
|             | Pass         | Pass        | 1 N          |
| Pass        | 2♦           | Pass        | 3♥           |
| Pass        | 4♥           | All pass    |              |

Without any clear agreements, South should break the transfer by simply jumping in the ♥ suit to show a 4 card raise and maximum values. With extra shape, North has an easy raise to game. If South just completes the transfer, North might well pass, without a clear fit and insufficient values to make an invite. East has to judge well now not to balance with a reasonable take-out double. This will let N/S back into the auction, to possibly catch up on the hand and eventually bid the cold game.

Some pairs play Dutch Two's, and will open 2♥ with the North hand, showing 5♥ and a side 4/5 card suit. This would result in South bidding an easy 4♥.

**Board 2**  
 East Deals  
 N-S Vul

|            |            |              |
|------------|------------|--------------|
| ♠ K 9 4    | ♠ A Q 8 6  | ♠ J 3        |
| ♥ A 10 6 5 | ♥ Q 9 2    | ♥ 7          |
| ♦ 9 3      | ♦ K Q J 10 | ♦ A 8 7 6 5  |
| ♣ Q 9 6 3  | ♣ K 5      | ♣ A 10 7 4 2 |

|             |
|-------------|
| ♠ 10 7 5 2  |
| ♥ K J 8 4 3 |
| ♦ 4 2       |
| ♣ J 8       |

W 4♣; NS 2♠; NS 2♥; E 3♣; NS 1N; EW 1♦; Par -130

| <i>West</i> | <i>North</i> | <i>East</i>      | <i>South</i> |
|-------------|--------------|------------------|--------------|
|             |              | Pass             | Pass         |
| Pass        | 1 NT         | 2 N <sup>1</sup> | Pass         |
| 3 ♣         | Pass         | Pass             | 3 ♥          |
| ?           |              |                  |              |

1=both minors

At favourable vulnerability, East has a nice bid in 2 NT available, to show 5/5 in the minors. South isn't strong enough to do much over 2 NT, which would risk North raising to game, so passes for the time being. West has a clear preference for clubs, which gets passed back around to South. Having passed over 2 NT, South can now either double (hopefully for take-out), or bid a natural 3 ♥. West now has to judge whether to defend 3 ♥ with good defensive cards, or compete to 4 ♣ with a good fit and favourable vul. With good prospects of forcing declarer (shortening of trumps) with repeated ♣ plays, I would pass 3 ♥, and lead the ♣ Q, hoping to finesse dummy's potential K, and possibly pin the J if partner doesn't hold it. It wouldn't be successful on this hand, but might still set up a force for later.

**Board 3**

South Deals  
E-W Vul

|           |            |              |
|-----------|------------|--------------|
|           | ♠ K J 8 5  |              |
|           | ♥ Q 10 3   |              |
|           | ♦ Q J      |              |
|           | ♣ K Q 8 6  |              |
| ♠ 9 6 3 2 |            | ♠ 4          |
| ♥ J 6 5   |            | ♥ 9 8 4      |
| ♦ K 8 6 3 |            | ♦ A 10 7 2   |
| ♣ A 5     |            | ♣ J 10 9 7 2 |
|           |            |              |
|           | ♠ A Q 10 7 |              |
|           | ♥ A K 7 2  |              |
|           | ♦ 9 5 4    |              |
|           | ♣ 4 3      |              |

NS 4♠; NS 3♥; NS 2N; EW 1♦; NS 1♣; Par +420

| <i>West</i> | <i>North</i> | <i>East</i> | <i>South</i> |
|-------------|--------------|-------------|--------------|
|             |              |             | 1 ♣          |
| Pass        | 1 ♠          | Pass        | 2 ♠          |
| Pass        | 4 ♠          | All pass    |              |

This board should be relatively flat, with various ways of getting to the spade game. South may open 1♦ instead of 1♣, and North may make an inquiry after the raise, in case of a 3 card raise. When hearts break, and the ♣ A is onside, everyone should be making 10 tricks, despite the bad trump break. For pairs missing the ♠ fit, and playing in NT, the result won't be positive. Defense will take 4 diamond tricks and the ♣ A.

**Board 4**

West Deals  
Both Vul

|              |             |             |  |
|--------------|-------------|-------------|--|
|              | ♠ 3         |             |  |
|              | ♥ K 10 5 3  |             |  |
|              | ♦ A K Q 8 5 |             |  |
|              | ♣ 7 5 3     |             |  |
| ♠ K 10 7 2   |             | ♠ Q J 9 8 6 |  |
| ♥ Q 6        |             | ♥ J 7       |  |
| ♦ J 10 9 7 2 |             | ♦ 6 4       |  |
| ♣ 8 2        |             | ♣ K 9 6 4   |  |
|              |             |             |  |
|              | ♠ A 5 4     |             |  |
|              | ♥ A 9 8 4 2 |             |  |
|              | ♦ 3         |             |  |
|              | ♣ A Q J 10  |             |  |

NS 7N; NS 7♥; NS 6♣; NS 5♦; NS 2♠; Par +2220

| <i>West</i> | <i>North</i> | <i>East</i> | <i>South</i> |
|-------------|--------------|-------------|--------------|
| Pass        | 1♦           | Pass        | 1♥           |
| Pass        | 2♥           | Pass        | 4♥           |
| All pass    |              |             |              |

Unless both sides are rather aggressive in their approach to their hands, the slam is unlikely to be reached. Needing the hearts to break, or the ♣ finesse onside, 6♥ will be a great place to play most of the time. Once both suits behave, 13 tricks should be made by everyone. An extra chance is for the diamond suit to break as well, giving the opportunity to discard 3 clubs, after ruffing the 4th♦. Played optimally, diamonds should be tested before relying on the ♣ finesse.

**Board 5**  
 North Deals  
 N-S Vul


|           |   |           |
|-----------|---|-----------|
| ♠ A Q 9 5 | ♠ K 7 2   | ♠ J 8     |
| ♥ 10 4    | ♥ Q 9 8 7 5   | ♥ J 6 3 2 |
| ♦ K 8 7 6 | ♦ 3   | ♦ Q 9 5 4 |
| ♣ K 5 3   | ♣ A J 8 2   | ♣ 9 7 6   |
|           | <div style="display: inline-block; background-color: #008000; color: white; padding: 5px; text-align: center; border: 1px solid black;">           N<br/>           W     E<br/>           S         </div> |           |
|           | ♠ 10 6 4 3  |           |
|           | ♥ A K   |           |
|           | ♦ A J 10 2  |           |
|           | ♣ Q 10 4  |           |

NS 4♥; NS 3N; NS 3♠; NS 4♣; NS 2♦; Par +620

| <i>West</i> | <i>North</i> | <i>East</i> | <i>South</i> |
|-------------|--------------|-------------|--------------|
| Pass        | Pass         | Pass        | 1 ♦          |
| Pass        | 1 ♥          | Pass        | 1 N          |
| Pass        | ?            |             |              |

South has a good 14 count, so it will come down to individual style whether some people upgrade this to a 15-17 NT. If they do, 3 NT will likely be the final contract. With the ability to set up the ♥ suit, and the black suit honours mostly behaving, 9 tricks will be made most of the time. On the bidding given above, North is unlikely to make a game try, and will probably sign off in either 1 NT or 2 ♥.

**Board 6**  
 East Deals  
 E-W Vul

|   |   |   |   |
|---|---|---|---|
| <p>♠ K 10 6 5<br/>         ♥ K Q 8 6<br/>         ♦ 6 4 3<br/>         ♣ 10 8</p> | <p>♠ Q 4 2<br/>         ♥ A 5<br/>         ♦ K Q J 8 5<br/>         ♣ K 5 3</p>   |  | <p>♠ A 7<br/>         ♥ 7 4 3 2<br/>         ♦ A<br/>         ♣ A Q J 7 6 2</p> |
|   | <p>♠ J 9 8 3<br/>         ♥ J 10 9<br/>         ♦ 10 9 7 2<br/>         ♣ 9 4</p> |   |   |

EW 5♥; EW 3N; EW 5♣; EW 2♠; NS 1♦; Par -650

| West | North    | East | South |
|------|----------|------|-------|
|      |          | 1 ♣  | Pass  |
| 1 ♥  | 2 ♦      | 3 ♥  | Pass  |
| 4 ♥  | All pass |      |       |

North has various bids available over 1♥. Double and 1NT are both options. I chose 2♦ purely for the quality of the suit. If my partner is on lead, I'd much prefer a♦ lead than anything else. Also, if South had some of the missing values, he wasn't able to overcall in♠, which usually means he either doesn't have 5, or he's lacking the values to have overcalled. 11 tricks should be easy for E/W with hearts breaking the♣ K onside.

**Board 7**  
 South Deals  
 Both Vul

|             |               |           |
|-------------|---------------|-----------|
| ♠ 6 2       | ♠ Q 9 5       | ♠ A 8 7 4 |
| ♥ K         | ♥ A 8 7 6 4 3 | ♥ 5 2     |
| ♦ K Q J 7 3 | ♦ 9 8 5 4     | ♦ 10 6 2  |
| ♣ K Q J 9 2 | ♣ —           | ♣ 8 6 5 4 |

|            |            |
|------------|------------|
| ♠ K J 10 3 | ♠ K J 10 3 |
| ♥ Q J 10 9 | ♥ Q J 10 9 |
| ♦ A        | ♦ A        |
| ♣ A 10 7 3 | ♣ A 10 7 3 |

NS 6♥; NS 3♠; NS 2N; W 1♦; EW 1♣; Par +1430

| <i>West</i> | <i>North</i> | <i>East</i> | <i>South</i> |
|-------------|--------------|-------------|--------------|
|             |              |             | 1 ♣          |
| 1 ♦         | 1 ♥          | Pass        | 3 ♥          |
| Pass        | 4 ♥          | All pass    |              |

North is weak, but only in terms of HCP's. As soon as South invites in hearts, North's hand grows in value, with the void in ♣ potentially working well, and length in diamonds likely making South short in the suit. Admittedly South could've made a mini-splinter in the form of a 3♦ bid, which would make it far easier on North, but we're assuming no special partnership agreements in this analysis. North should assume an unbalanced hand for the 3♥ bid, which either gives South a 2452 or 1453 shape (possible also 1462). Worst case would be the 2452 shape, but any of the other shapes have good potential for game. 12 tricks will easily be made at all tables.





**Board 9**  
 North Deals  
 E-W Vul

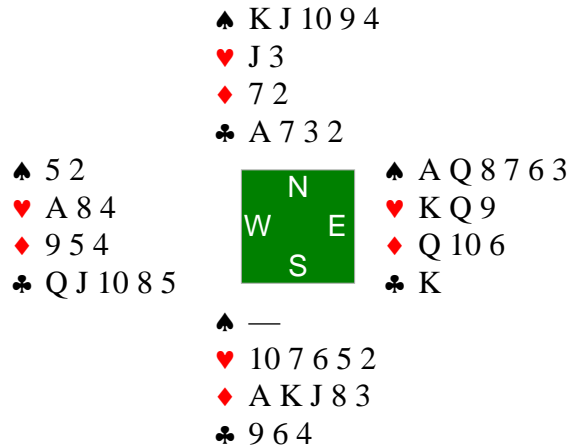
|            |  |               |
|------------|--|---------------|
| ♠ 6 5 4 2  | ♠ J 10 8 7 3   | ♠ K           |
| ♥ K 10 5 2 | ♥ J 8  | ♥ A Q 9 6 4 3 |
| ♦ Q 9 8 4  | ♦ 5  | ♦ K 7 6       |
| ♣ A        | ♣ Q 9 8 7 5  | ♣ K J 10      |
|            | <div style="display: inline-block; border: 1px solid black; background-color: #008000; color: white; padding: 5px; text-align: center; margin: 5px;">             N<br/>             W     E<br/>             S           </div> |               |
|            | ♠ A Q 9  |               |
|            | ♥ 7  |               |
|            | ♦ A J 10 3 2   |               |
|            | ♣ 6 4 3 2  |               |

EW 3♥; NS 2♠; NS 3♣; EW 1N; EW 1♦; Par -100; NS 3♠×-1;  
 NS 4♣×-1

| <i>West</i> | <i>North</i> | <i>East</i> | <i>South</i> |
|-------------|--------------|-------------|--------------|
|             | Pass         | 1 ♥         | Pass         |
| 3 ♥         | Pass         | 4 ♥         | All pass     |

If South ventures a double over 1 ♥, North is likely to bid some number of spades, and possibly even sacrifice over 4 ♥, given the favourable vulnerability. 4 ♥ will make all the time except when South finds the ♦ A lead and continuation, ruffed by North, back to the ♠ A and another ♦ ruff. 4 ♠ might well end up being a good sacrifice if found. Another interesting traveller looms!

**Board 10**  
 East Deals  
 Both Vul



N 2♥; NS 1N; NS 2♦; S 1♥; Par +110

| <i>West</i> | <i>North</i> | <i>East</i> | <i>South</i> |
|-------------|--------------|-------------|--------------|
|             |              | 1 ♠         | Pass         |
| 1 N         | Pass         | 3 ♠         | All pass     |

East's singleton ♣ K might be considered wasted by many, but you never really know how good or bad it might be until you combine both hands. Although it's opposite the QJ10 on this hand, there are just too many outside losers for them to be useful in time. 3 ♠ ends up being a disaster, with North possessing all the outstanding trumps.

South has to be careful entering the auction at All Vulnerable, with a misfit rendering the hand fairly useless. A ♥ contract by N/S plays out surprisingly well though, despite the misfit.

**Board 11**  
 South Deals  
 None Vul

|            |   |               |
|------------|---|---------------|
| ♠ J 4 3 2  | ♠ A K 9 7   | ♠ 10 5        |
| ♥ 10 9 2   | ♥ J 8 5   | ♥ A K 7 3     |
| ♦ 9 2      | ♦ Q   | ♦ A K 8 7 6 4 |
| ♣ Q 10 7 3 | ♣ J 8 6 5 2   | ♣ 4           |
|            | <div style="display: inline-block; background-color: #008000; color: white; padding: 5px; border: 1px solid black;">           N<br/>           W     E<br/>           S         </div> |               |
|            | ♠ Q 8 6   |               |
|            | ♥ Q 6 4   |               |
|            | ♦ J 10 5 3  |               |
|            | ♣ A K 9   |               |

NS 2N; NS 2♠; NS 3♣; NS 1♥; EW 1♦; Par +120

| <i>West</i> | <i>North</i> | <i>East</i> | <i>South</i> |
|-------------|--------------|-------------|--------------|
| Pass        | 1 ♠          | Pass        | 1 ♦          |
| Pass        | 2 N          | All pass    | 1 N          |

East can overcall 2♦, provided it's natural, otherwise it will likely be N/S bidding NT's at various levels. On a ♣ lead by West, 8 tricks will be easily made, with the defense having to give up a ♥ or ♦ trick later in the play. If West leads a ♥, this will set up 3 defensive tricks, along with the ♦ AK. Declarer now has to avoid playing ♣'s, and rather go after a ♦ trick. Provided ♠'s are played well for 4 tricks, declarer can finish with 4 ♠, 1 ♥, 1 ♦ and 2 ♣. If declarer plays on ♣'s, a not unreasonable line if the ♣ Q drops, the defense will have their 6th trick.

**Board 12**  
 West Deals  
 N-S Vul

|            |             |           |
|------------|-------------|-----------|
| ♠ K J 2    | ♠ 6 5 4     | ♠ A 8 3   |
| ♥ A J 10 9 | ♥ K 5       | ♥ 7 6 4 3 |
| ♦ 10 9     | ♦ A K J 8 3 | ♦ Q 4 2   |
| ♣ A 7 6 4  | ♣ 8 3 2     | ♣ J 10 5  |


  

|            |  |           |
|------------|--|-----------|
| ♠ Q 10 9 7 | <div style="display: inline-block; background-color: #008000; color: white; padding: 5px; text-align: center;">       N<br/>       W     E<br/>       S     </div> | ♠ A 8 3   |
| ♥ Q 8 2    |  | ♥ 7 6 4 3 |
| ♦ 7 6 5    |  | ♦ Q 4 2   |
| ♣ K Q 9    |  | ♣ J 10 5  |

EW 2N; EW 2♥; EW 1♠; NS 1♦; EW 1♣; Par -120

| <i>West</i> | <i>North</i> | <i>East</i> | <i>South</i> |
|-------------|--------------|-------------|--------------|
| 1 ♣         | 1 ♦          | 1 ♥         | 2 ♦          |
| 2 ♥         | All pass     |             |              |

**Board 13**  
 North Deals  
 Both Vul

|   |   |   |   |
|---|---|---|---|
| ♠ Q 6 2<br>♥ 10 7 6 5<br>♦ J 8<br>♣ A K 9 7 | ♠ A K 10 9<br>♥ K 3<br>♦ A K 7 5 2<br>♣ 3 2 |  | ♠ J 5 4<br>♥ Q J 4<br>♦ 10 6 3<br>♣ Q J 8 5 |
| ♠ 8 7 3<br>♥ A 9 8 2<br>♦ Q 9 4<br>♣ 10 6 4 |   |   |   |

NS 4♠; NS 3N; NS 4♦; NS 2♥; S 1♣; Par +620

| <i>West</i> | <i>North</i> | <i>East</i> | <i>South</i> |
|-------------|--------------|-------------|--------------|
|             | 1♦           | Pass        | 1♥           |
| Pass        | 1♠           | Pass        | 2♦           |
| Pass        | 2N           | All pass    |              |

**Board 14**  
 East Deals  
 None Vul

|            |  |             |
|------------|--|-------------|
| ♠ J 6 5 2  |  | ♠ K Q 7 4   |
| ♥ 10 4 3 2 |  | ♥ A K 6     |
| ♦ 7 5 3    |  | ♦ J         |
| ♣ 10 4     |  | ♣ A K J 7 6 |

|             |
|-------------|
| ♠ 9 3       |
| ♥ Q 9 8 7   |
| ♦ Q 4       |
| ♣ Q 9 8 5 3 |

EW 3♠; NS 2N; EW 2♥; NS 3♦; EW 2♣; Par -100; NS 3N×-1;  
 NS 4♦×-1

| <i>West</i> | <i>North</i> | <i>East</i> | <i>South</i> |
|-------------|--------------|-------------|--------------|
|             |              | 1 ♣         | Pass         |
| Pass        | 1 ♦          | Dbl         | Pass         |
| 1 ♠         | 2 ♦          | 3 ♠         | All pass     |

Some players will opt to use some sort of stronger opening bid to describe the East hand. 2 NT might be a popular choice, even with the bare ♦ J. If it goes 2 NT P P, North may bid a natural 3 ♦, after which East should be able to double for take-out. West would have to guess which major to bid now. If North instead passes 2 NT, they'll have all the time in the world to cash those beautiful ♦'s, no matter what South leads.

**Board 15**  
 South Deals  
 N-S Vul

|             |   |              |
|-------------|---|--------------|
| ♠ A 8       | ♠ K 10 7 5 4  | ♠ Q J 9      |
| ♥ A 10 4    | ♥ K Q 5   | ♥ J 9 3      |
| ♦ 8 6 2     | ♦ Q 4   | ♦ J 10 9 7 5 |
| ♣ A K 5 4 2 | ♣ Q 8 6   | ♣ J 7        |
|             | <div style="display: inline-block; background-color: #008000; color: white; padding: 5px; text-align: center; border: 1px solid black;">           N<br/>           W     E<br/>           S         </div> |              |
|             | ♠ 6 3 2   |              |
|             | ♥ 8 7 6 2   |              |
|             | ♦ A K 3   |              |
|             | ♣ 10 9 3  |              |

EW 1N; EW 2♦; NS 1♠; W 1♥; EW 1♣; Par -90

| <i>West</i> | <i>North</i> | <i>East</i> | <i>South</i> |
|-------------|--------------|-------------|--------------|
| 1 N         | Pass         | Pass        | Pass         |



**Board 16**  
 West Deals  
 E-W Vul

|            |             |             |
|------------|-------------|-------------|
| ♠ K 10 8 4 | ♠ J 9 6 5 2 | ♠ A Q 7     |
| ♥ Q 8 4    | ♥ A 10      | ♥ K 9 7 6   |
| ♦ 4 3      | ♦ 9 6 5     | ♦ A K 8 7 2 |
| ♣ 10 6 3 2 | ♣ K Q 8     | ♣ A         |

|             |             |
|-------------|-------------|
| ♠ 3         | ♠ 3         |
| ♥ J 5 3 2   | ♥ J 5 3 2   |
| ♦ Q J 10    | ♦ Q J 10    |
| ♣ J 9 7 5 4 | ♣ J 9 7 5 4 |

EW 4♥; EW 3N; EW 3♠; EW 4♦; EW 1♣; Par -620

| <i>West</i> | <i>North</i> | <i>East</i> | <i>South</i> |
|-------------|--------------|-------------|--------------|
| Pass        | Pass         | 2 N         | Pass         |
| 3 ♣         | Pass         | 3 ♥         | Pass         |
| 3 N         | All pass     |             |              |

With the ♣ suit blocked, and the ♦'s breaking 3-3, 3 NT should make fairly comfortably.

**Board 17**  
 North Deals  
 None Vul

|              |             |           |
|--------------|-------------|-----------|
| ♠ 10 6       | ♠ A J 8 3   | ♠ Q 9 7 2 |
| ♥ Q 10 9 8 2 | ♥ 6         | ♥ K J 5   |
| ♦ J 8 7      | ♦ A Q 6 4 3 | ♦ 10 2    |
| ♣ A K 8      | ♣ 10 7 3    | ♣ Q 9 4 2 |

|           |
|-----------|
| ♠ K 5 4   |
| ♥ A 7 4 3 |
| ♦ K 9 5   |
| ♣ J 6 5   |

NS 2N; NS 2♠; NS 2♦; EW 1♥; NS 1♣; Par +120

| <i>West</i> | <i>North</i> | <i>East</i> | <i>South</i> |
|-------------|--------------|-------------|--------------|
|             | 1 ♦          | Pass        | 1 ♥          |
| Pass        | 1 ♠          | Pass        | 2 N          |
| All pass    |              |             |              |

South doesn't have a great ♣ suit, and may instead decide to support ♦'s with a 3 ♦ bid, over 1 ♠. With the ♠'s suit like it is, there's no way to avoid going down in 3 ♦, where 2 NT makes with the ♦'s breaking 3-2.

**Board 18**  
 East Deals  
 N-S Vul

|             |            |           |
|-------------|------------|-----------|
| ♠ Q 8       | ♠ J 10 6   | ♠ 7 5 3   |
| ♥ K 10 3    | ♥ Q J 4    | ♥ A 8 7 6 |
| ♦ A 9 8 5 3 | ♦ 10 7 6 2 | ♦ K 4     |
| ♣ J 7 2     | ♣ K 9 5    | ♣ A Q 6 4 |

|             |
|-------------|
| ♠ A K 9 4 2 |
| ♥ 9 5 2     |
| ♦ Q J       |
| ♣ 10 8 3    |

W 3♥; E 2♥; EW 3♦; EW 3♣; EW 1N; NS 1♠; Par -140

| <i>West</i> | <i>North</i> | <i>East</i> | <i>South</i> |
|-------------|--------------|-------------|--------------|
| 2♦          | 2♠           | 1♣          | 1♠           |
|             |              | All pass    |              |

E?W are unlikely to compete too high on this hand. South has to drop the ♠ Q to avoid going down more than 1, an important factor when each undertrick is -100.

**Board 19**  
 South Deals  
 E-W Vul

|               |   |                   |  |
|---------------|---|-------------------|--|
| ♠ K 8 6       |   |                   |  |
| ♥ 9 5         |   |                   |  |
| ♦ 8 7 5 3     |   |                   |  |
| ♣ 8 7 4 3     |   |                   |  |
| ♠ Q J 9 7 4 3 | N | ♠ 10 5 2          |  |
| ♥ J 10        | W | ♥ A               |  |
| ♦ K 10 6 2    | S | ♦ A J 9 4         |  |
| ♣ 9           |   | ♣ A K 10 6 2      |  |
|               |   | ♠ A               |  |
|               |   | ♥ K Q 8 7 6 4 3 2 |  |
|               |   | ♦ Q               |  |
|               |   | ♣ Q J 5           |  |

EW 5♠; EW 5♦; NS 2♥; EW 3♣; EW 1N; Par -650

| <i>West</i> | <i>North</i> | <i>East</i> | <i>South</i> |
|-------------|--------------|-------------|--------------|
|             |              |             | 1 ♥          |
| 2 ♠         | Pass         | 4 ♠         | 5 ♥          |
| Pass        | Pass         | Dbl         | All pass     |

South is too strong for an immediate 4♥ opening. West has an option of 1♠ or 2♠. Both bids make it interesting for East to later judge whether to push to the 5 level. At the vulnerability, East may well bid 5♠, reasoning that 5♥x is unlikely to yield more than 500.

**Board 20**  
 West Deals  
 Both Vul


|   |             |             |  |   |  |   |  |   |  |   |  |
|---|-------------|-------------|--|---|--|---|--|---|--|---|--|
| ♠ Q 3 2   | ♠ J 7 5     | ♠ K 10 8    |  |   |  |   |  |   |  |   |  |
| ♥ K J 10 7 5  | ♥ 8 6 2     | ♥ A 4 3     |  |   |  |   |  |   |  |   |  |
| ♦ 5   | ♦ K 7 4 3 2 | ♦ Q J 9 8 6 |  |   |  |   |  |   |  |   |  |
| ♣ K J 5 3   | ♣ 6 4       | ♣ 9 2       |  |   |  |   |  |   |  |   |  |
| <table style="border: 1px solid black; background-color: #008000; color: white; width: 60px; height: 60px; margin: auto; text-align: center; line-height: 60px;"> <tr><td></td><td>N</td><td></td></tr> <tr><td>W</td><td></td><td>E</td></tr> <tr><td></td><td>S</td><td></td></tr> </table> |             |             |  | N |  | W |  | E |  | S |  |
|   | N           |             |  |   |  |   |  |   |  |   |  |
| W   |             | E           |  |   |  |   |  |   |  |   |  |
|   | S           |             |  |   |  |   |  |   |  |   |  |
| ♠ A 9 6 4   |             |             |  |   |  |   |  |   |  |   |  |
| ♥ Q 9   |             |             |  |   |  |   |  |   |  |   |  |
| ♦ A 10  |             |             |  |   |  |   |  |   |  |   |  |
| ♣ A Q 10 8 7  |             |             |  |   |  |   |  |   |  |   |  |

EW 3♥; EW 2N; EW 2♦; EW 1♠; EW 1♣; Par -140

| <i>West</i> | <i>North</i> | <i>East</i>      | <i>South</i> |
|-------------|--------------|------------------|--------------|
| Pass        | Pass         | Pass             | 1 ♣          |
| 1 ♥         | Pass         | 2 ♣ <sup>1</sup> | Dbl          |
| 2 ♥         | All pass     |                  |              |

1. Cuebid raise

**Board 21**  
 North Deals  
 N-S Vul

|   |  |  |   |
|---|--|--|---|
| ♠ 7 5 3<br>♥ A 9 4<br>♦ 10 4 3 2<br>♣ 9 7 5 | ♠ 10 9 6 2<br>♥ 6 2<br>♦ A K 8<br>♣ A K Q J  | ♠ A J 8 4<br>♥ K Q J 7<br>♦ J 6 5<br>♣ 8 4 |  |
|   | ♠ K Q<br>♥ 10 8 5 3<br>♦ Q 9 7<br>♣ 10 6 3 2 |  |   |

NS 4♣; NS 2N; NS 1♠; NS 1♥; NS 1♦; Par +130

| <i>West</i> | <i>North</i> | <i>East</i> | <i>South</i> |
|-------------|--------------|-------------|--------------|
|             | 1 N          | Pass        | Pass         |
| Pass        |              |             |              |

**Board 22**  
 East Deals  
 E-W Vul

|           |             |             |
|-----------|-------------|-------------|
| ♠ A 9 6 2 | ♠ K J 8 7 5 | ♠ Q         |
| ♥ K 2     | ♥ Q 8 5     | ♥ A J 10 6  |
| ♦ K 9 7   | ♦ A Q 10    | ♦ J 8 4 3 2 |
| ♣ K J 5 2 | ♣ A 6       | ♣ 8 4 3     |

|            |   |             |     |   |     |
|------------|---|-------------|-----|---|-----|
| ♠ 10 4 3   | <table style="border: 1px solid black; background-color: green; color: white; padding: 5px; width: 40px; height: 40px; margin: auto;"> <tr><td style="text-align: center;">N</td></tr> <tr><td style="text-align: center;">W E</td></tr> <tr><td style="text-align: center;">S</td></tr> </table> | N           | W E | S | ♠ Q |
| N          |   |             |     |   |     |
| W E        |   |             |     |   |     |
| S          |   |             |     |   |     |
| ♥ 9 7 4 3  |   | ♥ A J 10 6  |     |   |     |
| ♦ 6 5      |   | ♦ J 8 4 3 2 |     |   |     |
| ♣ Q 10 9 7 |   | ♣ 8 4 3     |     |   |     |

EW 3♦; W 3♣; EW 1N; E 2♣; NS 1♠; EW 1♥; Par -110

| <i>West</i> | <i>North</i> | <i>East</i> | <i>South</i> |
|-------------|--------------|-------------|--------------|
|             |              | Pass        | Pass         |
| 1 ♣         | 1 ♠          | Dbl         | Pass         |
| 1 N         | Pass         | Pass        | 2 ♠          |
| All pass    |              |             |              |

**Board 23**  
 South Deals  
 Both Vul

|           |   |           |
|-----------|---|-----------|
| ♠ Q 6 5   | ♠ K 8   | ♠ J 7 4 3 |
| ♥ 8 5 4   | ♥ K 9 6   | ♥ Q J 3 2 |
| ♦ 7 6 3   | ♦ A 5 4 2   | ♦ Q 9 8   |
| ♣ A Q 5 2 | ♣ K J 10 6  | ♣ 4 3     |
|           | <div style="display: inline-block; background-color: #008000; color: white; padding: 5px; text-align: center; border: 1px solid black;">           N<br/>           W     E<br/>           S         </div> |           |
|           | ♠ A 10 9 2  |           |
|           | ♥ A 10 7  |           |
|           | ♦ K J 10  |           |
|           | ♣ 9 8 7   |           |

NS 5N; N 5♥; NS 4♠; S 4♥; NS 5♦; NS 5♣; Par +660

| <i>West</i> | <i>North</i> | <i>East</i> | <i>South</i> |
|-------------|--------------|-------------|--------------|
| Pass        | 3 N          | All pass    | 1 ♣          |



**Board 24**  
 West Deals  
 None Vul

|           |   |            |
|-----------|---|------------|
| ♠ J 5 3 2 | ♠ A K 8 6   | ♠ Q 10 9 4 |
| ♥ A K 5   | ♥ 9 8 4 2   | ♥ Q 7 3    |
| ♦ A 7 4   | ♦ —   | ♦ K Q 9 5  |
| ♣ A K 7   | ♣ J 10 8 5 4  | ♣ Q 9      |
|           | <div style="display: inline-block; background-color: #008000; color: white; padding: 5px; text-align: center; margin: 5px;">       N<br/>       W     E<br/>       S     </div> |            |
|           | ♠ 7   |            |
|           | ♥ J 10 6  |            |
|           | ♦ J 10 8 6 3 2  |            |
|           | ♣ 6 3 2   |            |

EW 5N; W 5♠; E 4♠; EW 2♦; Par -460

| <i>West</i> | <i>North</i> | <i>East</i> | <i>South</i> |
|-------------|--------------|-------------|--------------|
| 1 ♣         | Pass         | 1 ♠         | Pass         |
| 4 ♠         | All pass     |             |              |

With only 2 apparent losers, 3 winners in all the side suits, E/W would do well to find 3 NT instead of 4 ♠. On the normal ♦ J lead, and immediate ruff, 4 ♠ will be held to 10 tricks. With a completely flat hand and weak spades, West may decide to rebid 2 NT instead of 4 ♠, and East will raise to 3 NT.

**Board 25**  
 North Deals  
 E-W Vul

|             |  |             |
|-------------|--|-------------|
| ♠ Q 7 3 2   | ♠ 9 5  | ♠ A 8 6     |
| ♥ J 9 8 5 4 | ♥ Q 3  | ♥ A K 6 2   |
| ♦ K 6       | ♦ A J 10 9   | ♦ Q 7 5 3 2 |
| ♣ K 4       | ♣ Q 9 7 6 3  | ♣ 8         |
|             | <div style="display: inline-block; border: 1px solid black; background-color: #008000; padding: 5px; text-align: center; margin: 5px;">             N<br/>             W     E<br/>             S           </div> |             |
|             | ♠ K J 10 4   |             |
|             | ♥ 10 7   |             |
|             | ♦ 8 4  |             |
|             | ♣ A J 10 5 2   |             |

EW 4♥; EW 3♠; EW 2N; EW 2♦; NS 2♣; Par -500; NS 5♣×-3

| <i>West</i> | <i>North</i> | <i>East</i> | <i>South</i> |
|-------------|--------------|-------------|--------------|
|             | Pass         | 1 ♦         | Pass         |
| 1 ♥         | Pass         | 2 ♥         | All pass     |

Another hand where aggressive bidding could get E/W to a borderline game. If East thinks the hand is too good for only 2♥, a 3♥ bid will lead to West raising to game. If only there were half bids available, 2½♥ would be the perfect bid! With everything behaving, 10 tricks is easily made. Looking at just the E/W hands alone, one suspects a partscore would be the best level the majority of the time.

**Board 26**  
 East Deals  
 Both Vul

|             |             |           |
|-------------|-------------|-----------|
| ♠ A K 9 7 2 | ♠ 6 4       | ♠ J 10 3  |
| ♥ —         | ♥ Q J 7     | ♥ K 8 3 2 |
| ♦ A Q J 5   | ♦ 6 4 2     | ♦ K 8 3   |
| ♣ 10 9 4 2  | ♣ K Q J 5 3 | ♣ 8 7 6   |

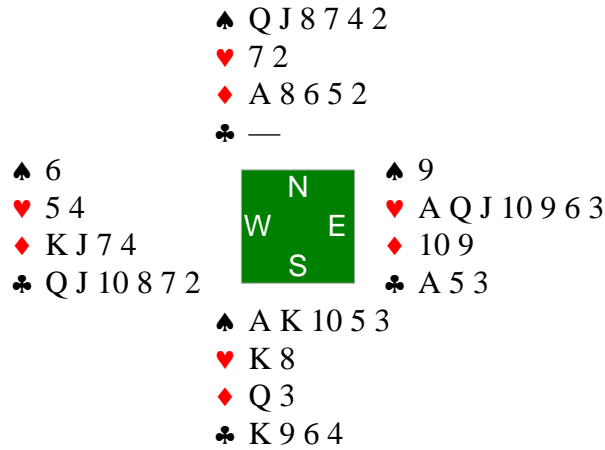
|                |   |          |     |   |                |
|----------------|---|----------|-----|---|----------------|
| ♠ Q 8 5        | <table border="1" style="background-color: #008000; color: white; width: 40px; height: 40px; margin: auto;"> <tr><td style="text-align: center;">N</td></tr> <tr><td style="text-align: center;">W E</td></tr> <tr><td style="text-align: center;">S</td></tr> </table> | N        | W E | S | ♠ A 10 9 6 5 4 |
| N              |   |          |     |   |                |
| W E            |   |          |     |   |                |
| S              |   |          |     |   |                |
| ♥ A 10 9 6 5 4 |   | ♦ 10 9 7 |     |   |                |
| ♦ 10 9 7       |   | ♣ A      |     |   |                |

E 3N; EW 3♠; EW 3♦; NS 1♥; Par -600

| <i>West</i> | <i>North</i> | <i>East</i> | <i>South</i> |
|-------------|--------------|-------------|--------------|
| 1 ♠         | 2 ♥          | 2 ♠         | 1 ♥          |
|             |              | Pass        | All pass     |

Some will open 2♥ with the South hand. With 2 Aces and a singleton, it far too strong for a weak two opening. The ♥ suit is also of a reasonable quality. North has a normal ♣ K lead, which will likely result in 10 tricks being made, if the ♠ Q is finessed. West simply setting up the 4th ♣.

**Board 27**  
 South Deals  
 None Vul



NS 5♠; NS 2N; EW 2♥; NS 3♦; EW 3♣; Par +450

| <i>West</i> | <i>North</i> | <i>East</i> | <i>South</i> |
|-------------|--------------|-------------|--------------|
| Pass        | 4♠           | ?           | 1♠           |

East would not want to sell out cheaply to 4♠, but 5♥ carries its own risks, mostly at equal vulnerability. If 5♥ is bid, North is very likely to push on to 5♠, whether South doubles or not. Although 5♥x would net +500, 4/5♠ is likely to be the par contract, making 11 tricks for +450.

**Board 28**

West Deals

N-S Vul

|           |               |             |  |
|-----------|---------------|-------------|--|
|           | ♠ A           |             |  |
|           | ♥ K Q J 6 3 2 |             |  |
|           | ♦ A K 7 5     |             |  |
|           | ♣ 9 8         |             |  |
| ♠ Q J 10  |               | ♠ 8 7 6 5 2 |  |
| ♥ 8 7 4   |               | ♥ A 10      |  |
| ♦ J 6 4   |               | ♦ 9 2       |  |
| ♣ Q J 3 2 |               | ♣ 10 7 6 5  |  |
|           |               |             |  |
|           | ♠ K 9 4 3     |             |  |
|           | ♥ 9 5         |             |  |
|           | ♦ Q 10 8 3    |             |  |
|           | ♣ A K 4       |             |  |

NS 6N; NS 6♥; NS 6♦; NS 2♠; NS 2♣; Par +1440

| <i>West</i> | <i>North</i> | <i>East</i> | <i>South</i> |
|-------------|--------------|-------------|--------------|
| Pass        | 1 ♥          | Pass        | 1 ♠          |
| Pass        | 2 ♦          | Pass        | 2 N          |
| Pass        | 3 ♥          | Pass        | 4 ♥          |
| All pass    |              |             |              |

With many various ways of bidding this hand, some auctions might go as follows (uncontested):

1 ♥ - 1 ♠ - 3 ♥ - 4 ♥

OR

1 ♥ - 1 ♠ - 2 ♦ - 3 ♦ - 3 ♥ - 4 ♥

OR

1 ♥ - 1 ♠ - 2 ♦ - 3 ♣ - 3 ♥ - 4 ♥ - 4 ♠ - 5 ♣ - 6 ♥!

The slam is rather good, with mostly a favourable break in the ♥ suit needed. 6 ♦ is probably slightly better, with only a 4-1 ♦ split presenting any real challenge.

There are ways of getting there, but again only the aggressive players are likely to..Will be interesting to see who bids it, and perhaps how!

**Board 29**  
 North Deals  
 Both Vul

|            |              |           |
|------------|--------------|-----------|
| ♠ K 10 9 7 | ♠ A Q 6 3    | ♠ 5 2     |
| ♥ 9 4 2    | ♥ Q 6 3      | ♥ K J 8 7 |
| ♦ 8 4      | ♦ A K Q 10 6 | ♦ 9 5 3 2 |
| ♣ A 9 5 4  | ♣ K          | ♣ Q 10 8  |

|             |           |
|-------------|-----------|
| ♠ J 8 4     | ♠ 5 2     |
| ♥ A 10 5    | ♥ K J 8 7 |
| ♦ J 7       | ♦ 9 5 3 2 |
| ♣ J 7 6 3 2 | ♣ Q 10 8  |

NS 3N; NS 3♠; NS 3♥; NS 3♦; NS 2♣; Par +600

| <i>West</i> | <i>North</i> | <i>East</i> | <i>South</i> |
|-------------|--------------|-------------|--------------|
|             | 2 NT         | Pass        | 3 N          |

All pass

Bidding may also go 1♦ - 1 NT - 3 NT.

**Board 30**  
 East Deals  
 None Vul

|           |           |             |
|-----------|-----------|-------------|
| ♠ J 7 5 4 | ♠ 9 8 2   | ♠ A Q       |
| ♥ A 5     | ♥ 10 7 3  | ♥ K Q J 9 2 |
| ♦ J 7 4 3 | ♦ K 9 8 5 | ♦ A 10 6 2  |
| ♣ J 3 2   | ♣ K 9 4   | ♣ 10 5      |

|             |             |
|-------------|-------------|
| ♠ K 10 6 3  | ♠ A Q       |
| ♥ 8 6 4     | ♥ K Q J 9 2 |
| ♦ Q         | ♦ A 10 6 2  |
| ♣ A Q 8 7 6 | ♣ 10 5      |




EW 2♥; EW 1N; EW 2♦; EW 1♠; NS 1♣; Par -110

| <i>West</i> | <i>North</i> | <i>East</i> | <i>South</i> |
|-------------|--------------|-------------|--------------|
|             |              | 1 ♥         | Pass         |
| 1 ♠         | Pass         | 2 ♦         | Pass         |
| 2 ♥         | All pass     |             |              |

Usually playing in a 4-4 fit is superior to a 5-2 fit, however the scoring format is usually a big consideration when given both options. Playing in a major (and making), outscores a minor suit contract rather easily, so playing pairs, a major suit contract should be sought more often than not. This isn't to say it'll always work out best. Often the 4-4 minor fit will play better and still outscore the major. Eg. 2♥= is worse than 2♦+2. Not an uncommon sigh. However whenever the minor partscore only makes 9 tricks, you need only be making 8 tricks to tie the score, with sometimes a precious overtrick making an appearance for +140.

**Board 31**  
 South Deals  
 N-S Vul

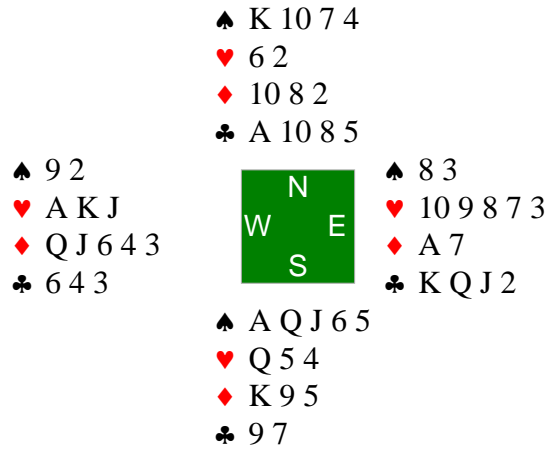
|               |   |              |
|---------------|---|--------------|
| ♠ J 8 7 5 4 2 |  | ♠ A K        |
| ♥ 5 4         |   | ♥ K Q 10 8 2 |
| ♦ J 6 4       |   | ♦ A 10 3     |
| ♣ 8 7         |   | ♣ K 9 5      |
| ♠ 3           |   | ♠ Q 10 9 6   |
| ♥ A 9 7 6     | ♥ J 3   | ♥ K Q 10 8 2 |
| ♦ 9 5         | ♦ K Q 8 7 2   | ♦ A 10 3     |
| ♣ A Q 6 4 3 2 | ♣ J 10  | ♣ K 9 5      |

EW 2♠; NS 1N; NS 2♣; EW 1♥; NS 1♦; Par -110

| <i>West</i> | <i>North</i> | <i>East</i> | <i>South</i> |
|-------------|--------------|-------------|--------------|
| Pass        | 1 ♣          | Dbl         | Pass         |
| Pass        | 2 ♣          | 2 ♥         | 1 ♠          |
|             |              |             | All pass     |



**Board 32**  
 West Deals  
 E-W Vul



NS 2♠; EW 2♥; EW 2♦; EW 2♣; Par +110

| <i>West</i> | <i>North</i> | <i>East</i> | <i>South</i> |
|-------------|--------------|-------------|--------------|
| Pass        | Pass         | Pass        | 1 ♠          |
| Dbl         | 3 ♠          | All pass    |              |

Some West's will open 1♦, with the bidding proceeding something like:

1♦ P 1♥ 1♠

dbl 3♠ All pass

3♠-1 is likely to be the final contract at most tables.

**Board 33**  
 North Deals  
 None Vul

|             |            |           |
|-------------|------------|-----------|
| ♠ Q J 10    | ♠ 8 2      | ♠ K 7 3   |
| ♥ 7 5 4     | ♥ A K J 10 | ♥ Q 9 6 2 |
| ♦ A 2       | ♦ K 10 9 8 | ♦ Q 7     |
| ♣ K J 7 6 3 | ♣ A 10 2   | ♣ Q 9 8 5 |

|             |
|-------------|
| ♠ A 9 6 5 4 |
| ♥ 8 3       |
| ♦ J 6 5 4 3 |
| ♣ 4         |

NS 5♦; NS 2♠; NS 2♥; EW 1♣; Par +400

| <i>West</i> | <i>North</i> | <i>East</i> | <i>South</i> |
|-------------|--------------|-------------|--------------|
| Pass        | 1 N          | Pass        | 2 ♥          |
| Pass        | 2 ♠          | All pass    |              |

**Board 34**  
 East Deals  
 N-S Vul


|               |                  |                  |
|---------------|------------------|------------------|
| ♠ A K 9 6 5 3 | ♠ 8 7 2          | ♠ J 10 4         |
| ♥ 8 2         | ♥ 9 7 4          | ♥ J              |
| ♦ Q 9 3       | ♦ K J 10 6 4     | ♦ 5 2            |
| ♣ A 4         | ♣ Q 5            | ♣ K J 10 9 7 6 2 |
|               | ♠ Q              |                  |
|               | ♥ A K Q 10 6 5 3 |                  |
|               | ♦ A 8 7          |                  |
|               | ♣ 8 3            |                  |

EW 4♠; NS 4♥; NS 4♦; EW 4♣; Par -200: NS 5♦×-1; NS 5♥×-1

| <i>West</i> | <i>North</i> | <i>East</i> | <i>South</i> |
|-------------|--------------|-------------|--------------|
| 3 ♠         | Pass         | 3 ♣         | 3 ♥          |
|             |              | 4 ♠         | All pass     |

North doesn't have enough shape or HCP's to raise South's hearts, and East has plenty of extra shape with the fit to raise to game, whether 3 ♠ was forcing or not. The vulnerability is wrong for N/S to consider reentering the auction, even though 5 ♥ is a great sacrifice against 4 ♠.

**Board 35**  
 South Deals  
 E-W Vul

|  |   |  |   |
|--|---|--|---|
| <p>♠ Q 9 8 3<br/>         ♥ K 8 6<br/>         ♦ 10 8<br/>         ♣ K Q 6 3</p> |  | <p>♠ 7 4<br/>         ♥ A Q 4 3<br/>         ♦ A Q 5<br/>         ♣ J 10 9 7</p> | <p>♠ A 10 6<br/>         ♥ 10 9 5 2<br/>         ♦ K 6 4 2<br/>         ♣ A 5</p> |
| <p>♠ K J 5 2<br/>         ♥ J 7<br/>         ♦ J 9 7 3<br/>         ♣ 8 4 2</p>  |   |  |   |

EW 2♠; EW 2♥; EW 1N; Par -110

| <i>West</i> | <i>North</i> | <i>East</i> | <i>South</i> |
|-------------|--------------|-------------|--------------|
| Pass        | 1 ♣          | Pass        | Pass         |
| Pass        | 1 N          | All pass    | 1 ♠          |

**Board 36**

West Deals

Both Vul

|             |  |                |
|-------------|--|----------------|
| ♠ A 9 7 3   | ♠ K Q 5 4  | ♠ J 2          |
| ♥ A J 9 6 3 | ♥ 10 8 5   | ♥ K Q 7 2      |
| ♦ K 8       | ♦ Q 10 7 6 2   | ♦ A            |
| ♣ 9 7       | ♣ A  | ♣ K Q 10 8 6 2 |
|             | <div style="display: inline-block; border: 1px solid black; background-color: #008000; padding: 5px; text-align: center; margin: 5px;">           N<br/>W     E<br/>S         </div> |                |
|             | ♠ 10 8 6   |                |
|             | ♥ 4  |                |
|             | ♦ J 9 5 4 3  |                |
|             | ♣ J 5 4 3  |                |

EW 5♥; EW 4N; EW 5♣; NS 3♦; EW 1♠; Par -650

| <i>West</i>      | <i>North</i> | <i>East</i>       | <i>South</i> |
|------------------|--------------|-------------------|--------------|
| 1 ♥              | Pass         | 2 NT <sup>1</sup> | Pass         |
| 4 ♥ <sup>2</sup> | Pass         | 5 ♣               | Pass         |
| 5 ♦              | Pass         | 6 ♥               | All pass     |

1. Jacoby 2 NT (4 ♥ GF)


2. Minimum, no shortage

East's hand is too strong to splinter. The singleton ♦ A might also be working well with whatever "wasted" ♦ values West may have, as is the case on this board. Therefore a Jacoby raise to obtain more information. West will show a minimum with no shortage, and now East has to make a decision. As long as West is carrying good controls (Aces in this case), slam is rated to be quite good. the 5 level rates to be relatively safe too, in case of 2 missing keycards. West cuebids 5 ♦ to confirm a ♠ control (East didn't cuebid 4 ♠ over 4 ♥), and East takes it.

North should lead the ♠ K in the hopes of establishing a trick there before the ♣ A gets knocked out. This will lead to the contract failing, as declarer has to cash the ♦ AK and pitch the losing ♠ from dummy. When North gets in, a 2nd ♠ will shorten dummy's trumps, and the ♣'s won't be get established in time.

An initial ♣ A lead (or any other lead for that matter) will lose the tempo for N/S, and the slam will roll home.

**Board 37**  
 North Deals  
 N-S Vul

|  |   |  |   |
|--|---|--|---|
| <p>♠ 7 6 4 3<br/>         ♥ A K 7 6 4<br/>         ♦ Q<br/>         ♣ A Q 2</p>    |  | <p>♠ J 9 8 2<br/>         ♥ 10 5 3<br/>         ♦ K 8 6 2<br/>         ♣ 9 3</p> | <p>♠ A K Q 5<br/>         ♥ Q 2<br/>         ♦ A J 7 5 4<br/>         ♣ K 5</p> |
| <p>♠ 10<br/>         ♥ J 9 8<br/>         ♦ 10 9 3<br/>         ♣ J 10 8 7 6 4</p> |   |  |   |

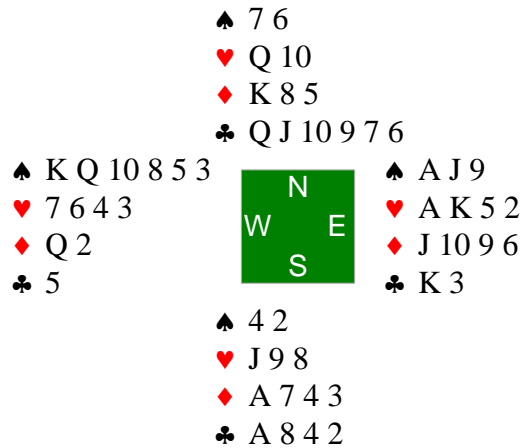
EW 7N; EW 7♥; EW 6♠; EW 5♦; EW 4♣; Par -1520

| <i>West</i>      | <i>North</i> | <i>East</i>      | <i>South</i> |
|------------------|--------------|------------------|--------------|
|                  | Pass         | 1 ♦              | Pass         |
| 1 ♥              | Pass         | 2 ♠ <sup>1</sup> | Pass         |
| 3 ♠              | Pass         | 4 ♣ <sup>2</sup> | Pass         |
| 4 N <sup>3</sup> | Pass         | 5 ♦ <sup>4</sup> | Pass         |
| 5 ♥ <sup>5</sup> | Pass         | 6 ♣ <sup>6</sup> | Pass         |
| 7 ♠              | All pass     |                  |              |

1. Natural GF (18+)
2. Cuebid (1st/2nd round control)
3. Keycard Blackwood
4. 0/3 Keycards
5. Trump Queen??
6. Yes, with the ♣ K

West knows at the 6 ♣ level that East has all the missing Keycards, being ♠ AKQ, ♦ A and ♣ K. To have a 2 ♠ rebid, East should have 1 more good card, at a minimum. This could be the ♥ Q or the ♦ K, either of which would make the grand slam a good prospect. Although 7 NT also makes, it's only because the ♥'s split 3-3. If East had the ♦ K instead of the ♥ Q, then a ruff may well be needed to set up the ♦ suit. The same goes on the actual layout, when East has the ♥ Q instead - The 4th ♥ may need to be ruffed, to set up that suit.

**Board 38**  
 East Deals  
 E-W Vul



EW 3♠; EW 3♥; NS 2♣; NS 1♦; Par -140

| <i>West</i>     | <i>North</i> | <i>East</i> | <i>South</i> |
|-----------------|--------------|-------------|--------------|
|                 |              | 1 NT        | Pass         |
| 4♦ <sup>1</sup> | Pass         | 4♠          | All pass     |

1. SA Texas Transfer

Depending on partnership methods, a simple transfer may be used, followed by an invitational raise, or a jump to game:

1 NT - 2♥ - 2♠ - 3♠ - 4♠

OR

1 NT - 2♥ - 2♠ - 4♠.

South has to lead a ♥, in order to eventually set up a ♥ trick before declarer sets up the 3rd and 4th ♦ tricks for ♥ discards. Any other lead will result in declarer gaining a tempo on the hand, and setting up the ♦'s in time.

**Board 39**  
 South Deals  
 Both Vul

|             |             |           |
|-------------|-------------|-----------|
| ♠ J 5 4     | ♠ Q 9 8 3 2 | ♠ A K 7 6 |
| ♥ J 9 8 6 5 | ♥ K         | ♥ A 7     |
| ♦ K 9 6     | ♦ 7 4 3 2   | ♦ J 8 5   |
| ♣ K 5       | ♣ J 10 7    | ♣ A 6 3 2 |

|              |
|--------------|
| ♠ 10         |
| ♥ Q 10 4 3 2 |
| ♦ A Q 10     |
| ♣ Q 9 8 4    |

EW 2N; EW 2♠; EW 2♥; EW 2♦; EW 2♣; Par -120

| <i>West</i> | <i>North</i> | <i>East</i> | <i>South</i> |
|-------------|--------------|-------------|--------------|
|             |              |             | Pass         |
| Pass        | Pass         | 1 N         | Pass         |
| 2 ♦         | Pass         | 2 ♥         | All pass     |



**Board 40**  
West Deals  
None Vul

♠ 10 7 6  
♥ J 8 5 4  
♦ J 6 5  
♣ 10 5 4

♠ K Q 9 8 5 4  
♥ A 6  
♦ Q 10 3  
♣ Q 8



♠ J 3 2  
♥ K Q 7 3  
♦ A  
♣ A K 7 6 2

♠ A  
♥ 10 9 2  
♦ K 9 8 7 4 2  
♣ J 9 3

NS 3♠; EW 2♥; NS 3♦; NS 1N; EW 2♣; Par +140